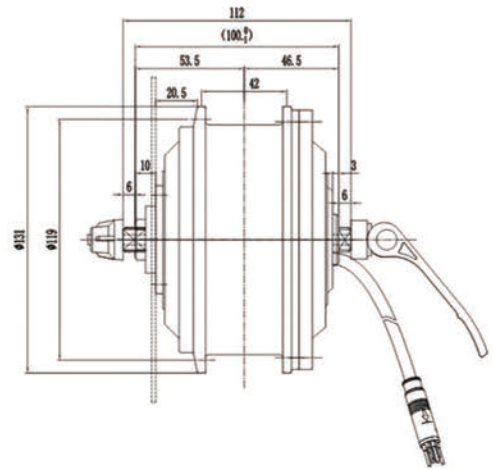
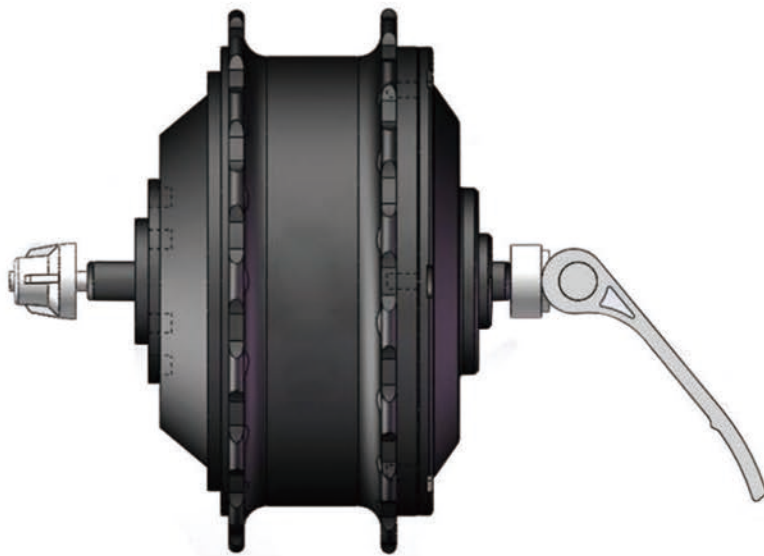


i-BIKE

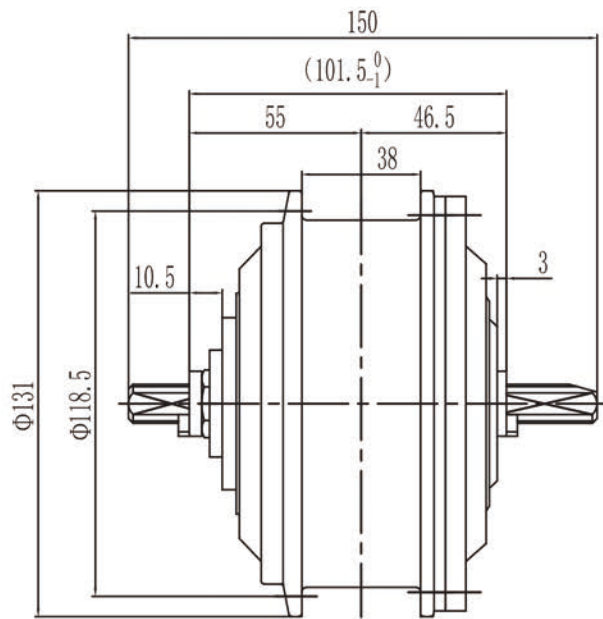


SUZHOU I-BIKE TECH CO.,LTD.

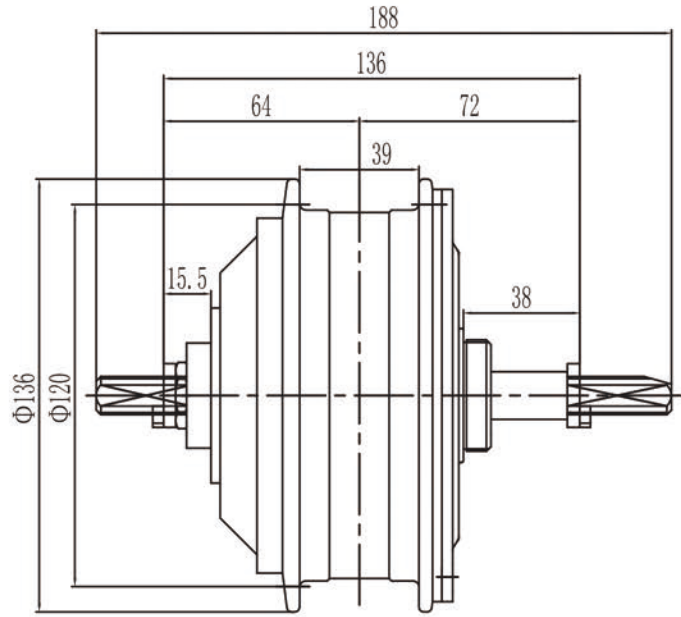
2019



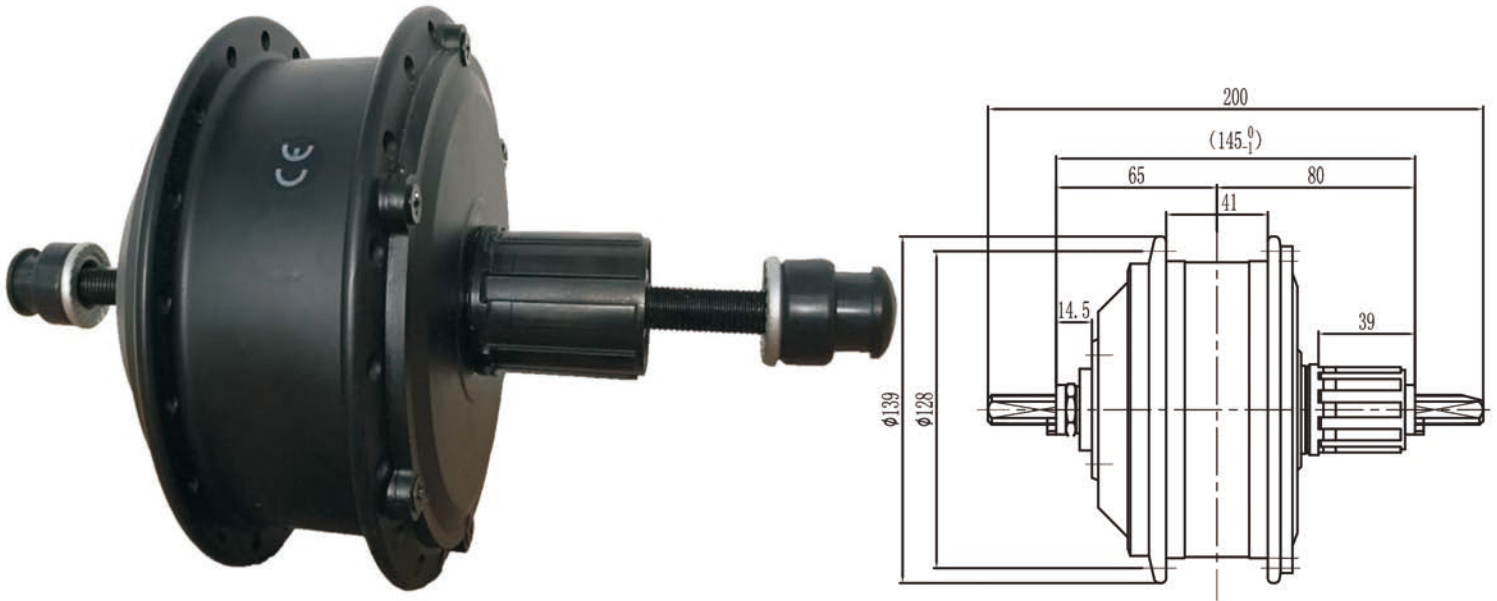
Mounting Position	Front
Rated Power(W)	250-350
Fork Dropout (mm)	100
Rated Voltage (DCV)	24/36/48
Wheel Size (inch)	20/24/26/700C/28
Reduction Ratio	1: 4.4
Max Torque (N.m)	>40
Efficiency (%)	>80
Color	silver/black
Weight (kg)	2.3
Brake	V/disc
Freewheel	-
Noise Level (dB)	<50
Working Temperature	-20°C ~ 45°C
Cable Routing	axle side/right
Spoke	12G/13G/14G



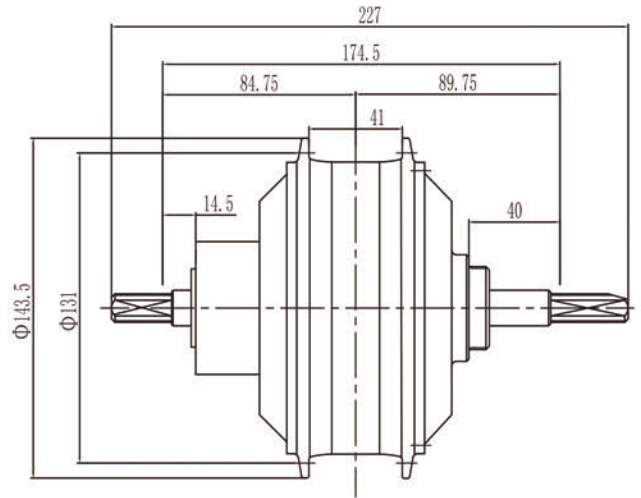
Mounting Position	Front
Rated Power(W)	250-350
Fork Dropout (mm)	100
Rated Voltage (DCV)	24/36/48
Wheel Size (inch)	20/24/26/700C/28
Reduction Ratio	1: 4.4
Max Torque (N.m)	>40
Efficiency (%)	>80
Color	silver/black
Weight (kg)	2.3
Brake	V/disc
Freewheel	-
Noise Level (dB)	<50
Working Temperature	-20°C ~ 45°C
Cable Routing	axle side/right
Spoke	12G/13G/14G



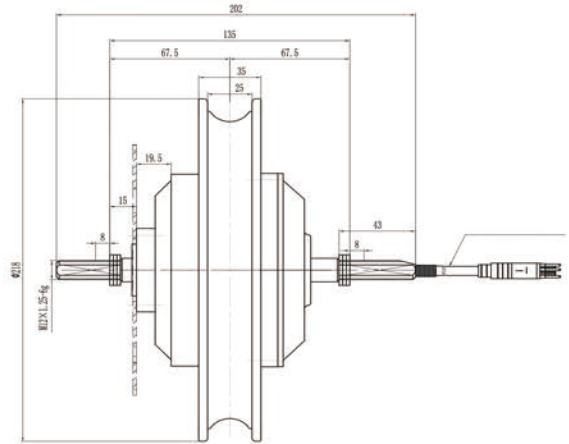
Mounting Position	Rear
Rated Power(W)	250-350
Fork Dropout (mm)	135
Rated Voltage (DCV)	24/36/48
Wheel Size (inch)	20/24/26/700C/28
Reduction Ratio	1: 4.4
Max Torque (N.m)	>40
Efficiency (%)	>80
Color	silver/black
Weight (kg)	2.3
Brake	V/disc
Freewheel	single/6s/7s
Noise Level (dB)	<50
Working Temperature	-20°C ~ 45°C
Cable Routing	axle side/right
Spoke	12G/13G/14G



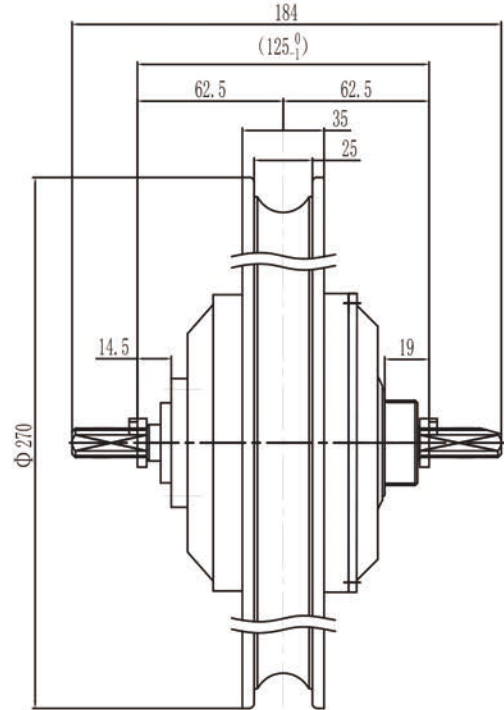
Mounting Position	Rear
Rated Power(W)	250-350
Fork Dropout (mm)	145
Rated Voltage (DCV)	24/36/48
Wheel Size (inch)	20/24/26/700C/28
Reduction Ratio	1: 4.4
Max Torque (N.m)	>40
Efficiency (%)	>80
Color	silver/black
Weight (kg)	2.8
Brake	V/disc
Freewheel	7s/8s/9s/10s
Noise Level (dB)	<50
Working Temperature	-20°C ~ 45°C
Cable Routing	axle side/right
Spoke	12G/13G/14G



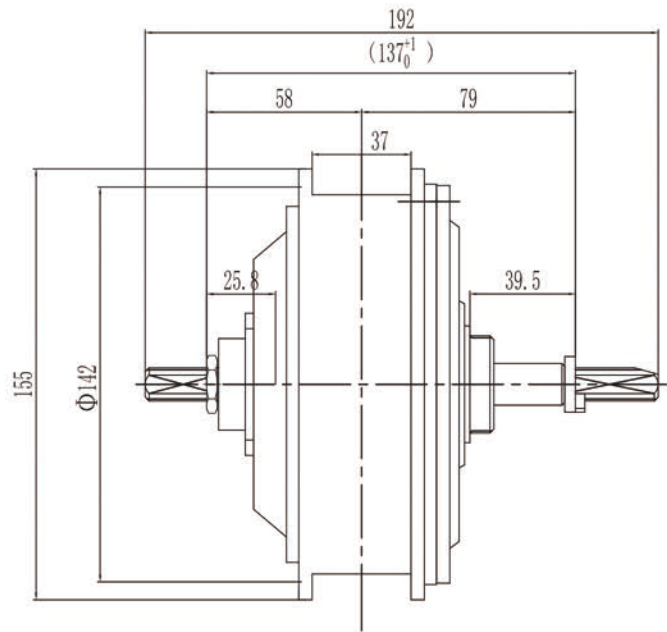
Mounting Position	Rear
Rated Power(W)	350
Fork Dropout (mm)	175
Rated Voltage (DCV)	36/48
Wheel Size (inch)	20/24/26/700C/28
Reduction Ratio	1: 4.4
Max Torque (N.m)	>45
Efficiency (%)	>80
Color	silver/black
Weight (kg)	2.8
Brake	disc
Freewheel	single/6s/7s
Noise Level (dB)	<50
Working Temperature	-20°C ~ 45°C
Cable Routing	axle side/right
Spoke	12G/13G/14G



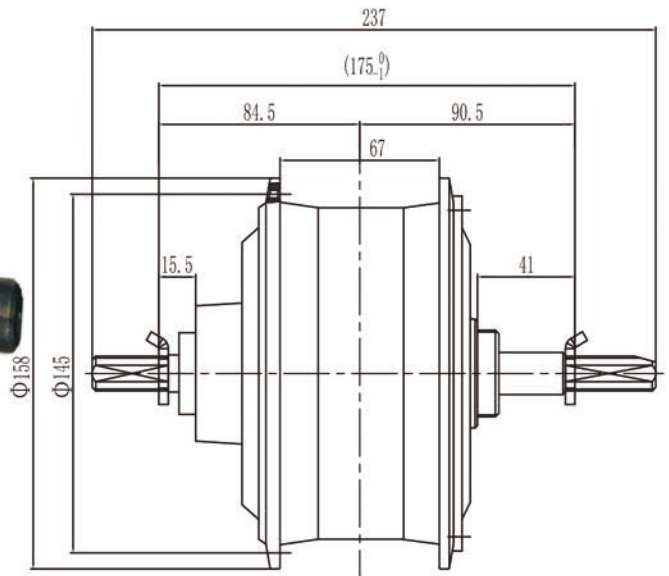
安装位置	Mounting Position	Rear Mount
额定功率	Rated Power(W)	250-350
开档尺寸	Fork Dropout (mm)	135
额定电压	Rated Voltage (DCV)	24/36
轮径尺寸	Wheel Size (inch)	12
减速比	Reduction Ratio	1: 4.4
最大扭矩	Max Torque (N.m)	>40
效率	Efficiency (%)	>80
颜色	Color	silver/black
重量	Weight (kg)	3.4
刹车方式	Brake	V/disc
飞轮	Freewheel	single
噪音	Noise Level (dB)	<50
适用气温	Working Temperature	-20°C ~ 45°C
出线方式	Cable Routing	axle side/right
辐条规格	Spoke	-



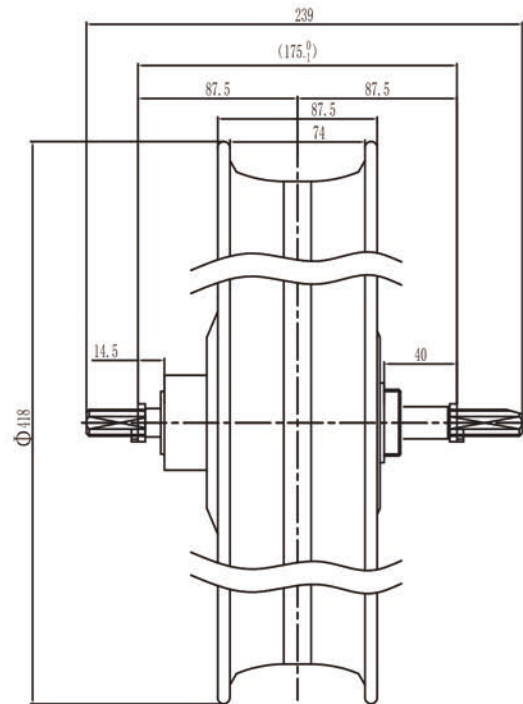
Mounting Position	Rear
Rated Power(W)	250-350
Fork Dropout (mm)	125/135
Rated Voltage (DCV)	24/36/48
Wheel Size (inch)	14
Reduction Ratio	1: 4.4
Max Torque (N.m)	>30
Efficiency (%)	>80
Color	silver/black
Weight (kg)	3.5/1.3 (front)
Brake	V/disc
Freewheel	single
Noise Level (dB)	<50
Working Temperature	-20°C ~ 45°C
Cable Routing	axle side/right
Spoke	-



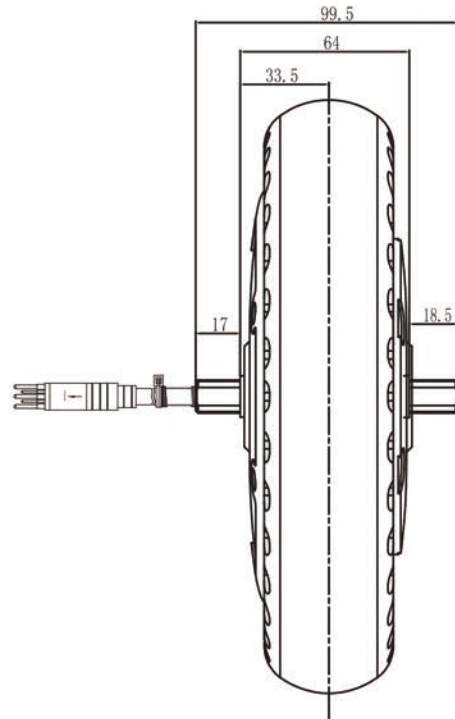
Mounting Position	Rear
Rated Power(W)	350-500
Fork Dropout (mm)	137
Rated Voltage (DCV)	36/48
Wheel Size (inch)	20/24/26/700C/28
Reduction Ratio	1:5
Max Torque (N.m)	>60
Efficiency (%)	>80
Color	silver/black
Weight (kg)	3.2
Brake	V/disc
Freewheel	single/6s/7s
Noise Level (dB)	<50
Working Temperature	-20°C ~ 45°C
Cable Routing	axle side/right
Spoke	12G/13G/14G



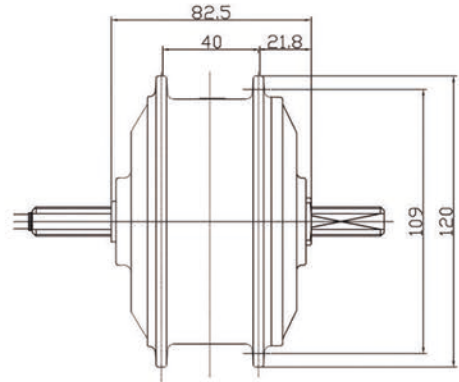
Mounting Position	Rear
Rated Power(W)	350-750
Fork Dropout (mm)	175/195
Rated Voltage (DCV)	36/48
Wheel Size (inch)	20/24/26/700C/28
Reduction Ratio	1:5
Max Torque (N.m)	>90
Efficiency (%)	>80
Color	silver/black
Weight (kg)	4.5
Brake	V/disc
Freewheel	single/6s/7s
Noise Level (dB)	<60
Working Temperature	-20°C ~ 45°C
Cable Routing	axle side/right
Spoke	12G/13G/14G



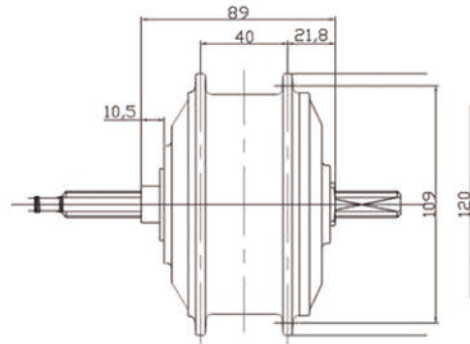
Mounting Position	Rear
Rated Power(W)	350-750
Fork Dropout (mm)	175/195
Rated Voltage (DCV)	36/48
Wheel Size (inch)	20
Reduction Ratio	1:5
Max Torque (N.m)	>90
Efficiency (%)	>80
Color	black
Weight (kg)	6.5
Brake	V/disc
Freewheel	single/6s/7s/cassette
Noise Level (dB)	<60
Working Temperature	-20°C ~ 45°C
Cable Routing	axle side/right
Spoke	-



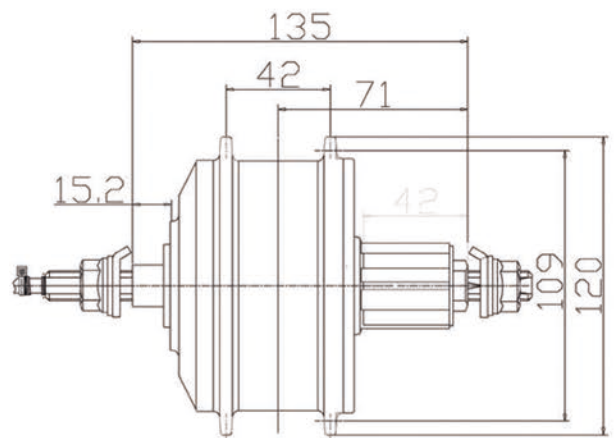
Mounting Position	Front
Rated Power(W)	250-350
Fork Dropout (mm)	65
Rated Voltage (DCV)	24/36/48
Wheel Size (inch)	8.5
Reduction Ratio	-
Max Torque (N.m)	>30
Efficiency (%)	>80
Color	white/black
Weight (kg)	3
Brake	V/disc
Freewheel	-
Noise Level (dB)	<30
Working Temperature	-20°C ~ 45°C
Cable Routing	axle side/right
Spoke	-



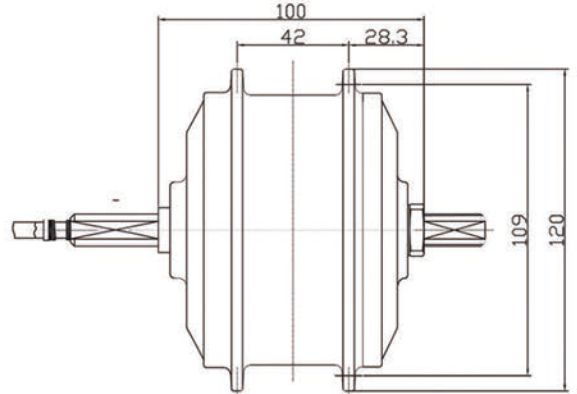
Mounting Position	Front
Rated Power(W)	250
Fork Dropout (mm)	82.5
Rated Voltage (DCV)	24/36
Wheel Size (inch)	26/700C/28
Reduction Ratio	1: 12.6
Max Torque (N.m)	>40
Efficiency (%)	>80
Color	silver/black
Weight (kg)	1.2
Brake	V
Freewheel	-
Noise Level (dB)	<50
Working Temperature	-20°C ~ 45°C
Cable Routing	Left, Through Shaft
Spoke	13G



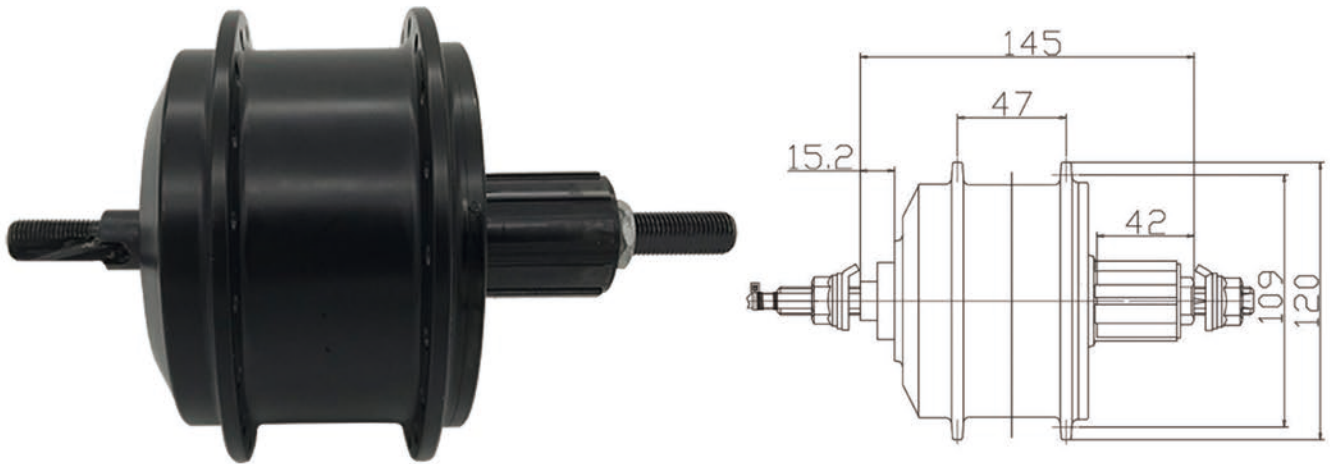
Mounting Position	Front
Rated Power(W)	250
Fork Dropout (mm)	89
Rated Voltage (DCV)	24/36
Wheel Size (inch)	26/700C/28
Reduction Ratio	1: 12.6
Max Torque (N.m)	>40
Efficiency (%)	>80
Color	silver/black
Weight (kg)	1.6
Brake	disc
Freewheel	-
Noise Level (dB)	<50
Working Temperature	-20°C ~ 45°C
Cable Routing	Left, Through Shaft
Spoke	13G



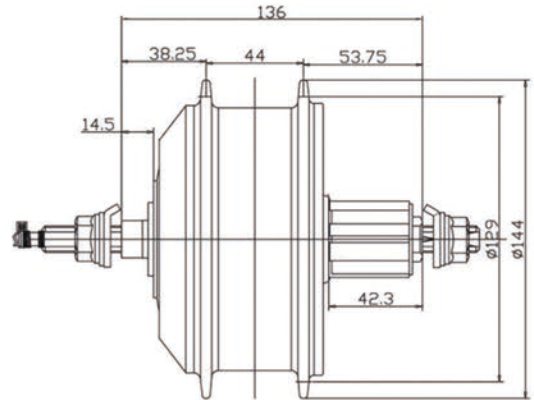
Mounting Position	Rear
Rated Power(W)	250
Fork Dropout (mm)	135
Rated Voltage (DCV)	24/36
Wheel Size (inch)	26/700C/28
Reduction Ratio	1: 12.6
Max Torque (N.m)	>40
Efficiency (%)	>80
Color	silver/black
Weight (kg)	1.7
Brake	disc
Freewheel	-
Noise Level (dB)	<50
Working Temperature	-20°C ~ 45°C
Cable Routing	Left, Through Shaft
Spoke	13G



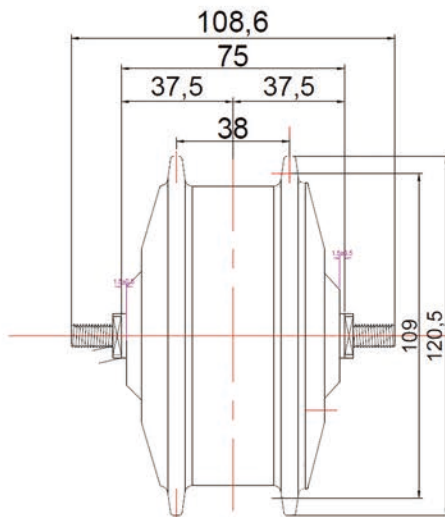
Mounting Position	Front
Rated Power(W)	250
Fork Dropout (mm)	100
Rated Voltage (DCV)	24/36
Wheel Size (inch)	26/700C/28
Reduction Ratio	1: 12.6
Max Torque (N.m)	>40
Efficiency (%)	>80
Color	silver/black
Weight (kg)	2.0
Brake	V/disc
Freewheel	-
Noise Level (dB)	<50
Working Temperature	-20°C ~ 45°C
Cable Routing	Left, Through Shaft
Spoke	13G



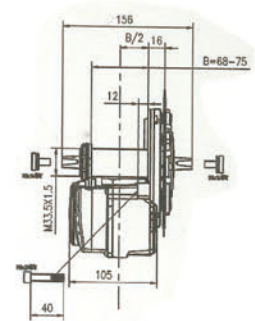
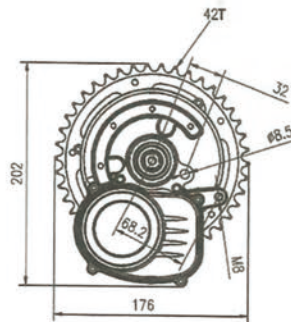
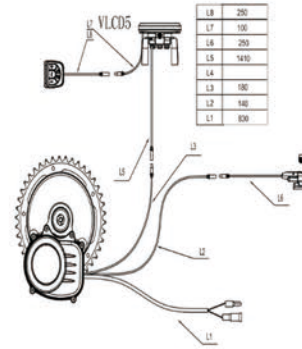
Mounting Position	Rear
Rated Power(W)	250
Fork Dropout (mm)	143
Rated Voltage (DCV)	36/48
Wheel Size (inch)	26/700C/28
Reduction Ratio	1: 12.6
Max Torque (N.m)	>40
Efficiency (%)	>80
Color	silver/black
Weight (kg)	2.2
Brake	disc
Freewheel	-
Noise Level (dB)	<50
Working Temperature	-20°C ~ 45°C
Cable Routing	Left, Through Shaft
Spoke	13G



Mounting Position	Rear
Rated Power(W)	250–350
Fork Dropout (mm)	137
Rated Voltage (DCV)	36/48
Wheel Size (inch)	26/700C/28
Reduction Ratio	1: 14.2
Max Torque (N.m)	>40
Efficiency (%)	>80
Color	silver/black
Weight (kg)	3.0
Brake	disc
Freewheel	-
Noise Level (dB)	<50
Working Temperature	-20°C ~ 45°C
Cable Routing	Left, Through Shaft
Spoke	13G



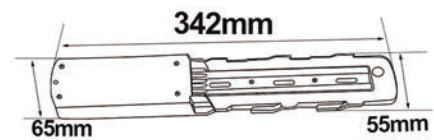
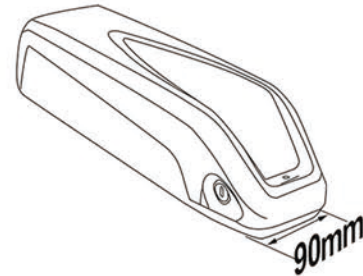
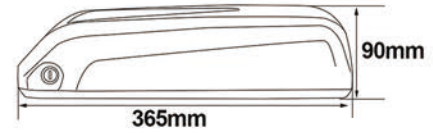
安装位置	Mounting Position	Rear Mount
额定功率	Rated Power(W)	250
开档尺寸	Fork Dropout (mm)	75
额定电压	Rated Voltage (DCV)	24/36
轮径尺寸	Wheel Size (inch)	26/700C/28
减速比	Reduction Ratio	1: 12.6
最大扭矩	Max Torque (N.m)	>40
效率	Efficiency (%)	>80
颜色	Color	silver/black
重量	Weight (kg)	1.2
刹车方式	Brake	disc
飞轮	Freewheel	-
噪音	Noise Level (dB)	<50
适用气温	Working Temperature	-20°C ~ 45°C
出线方式	Cable Routing	Left, Through Shaft
辐条规格	Spoke	13G



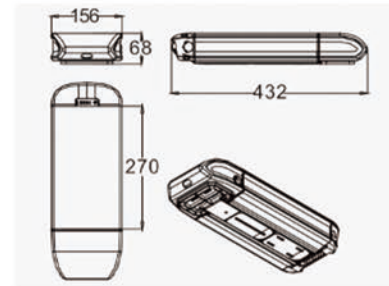
Construction	Gear Drive
Voltage (DCV)	36V/48V
Power	250W/350W/500W
RPM	3600-4000
Max Torque (N.M)	80
Efficiency	≥ 80
Pedal Sensor	Torque
Weight for motor	3.4Kgs
Weight for kit	5Kgs
Gross weight	5.5Kgs
Assisting Ratio	36%-300%
Color	Matt Black
Noise (d/B)	<55
Certificate	CE/EN15194
Teeth plate	42T or custerized
Bottom Bracket	68-73mm



Motor	Hub motor(rear) 350W-1500W
Rim and spokes	Alloy rim,with 12g/13g stainless steel spokes
Wheel	16''-28''
Battery	36V/48V/60V
Charger	AC100-240V,2A/3A/5A
Display	LED/LCD



Voltage	36V
Capacity	13Ah
Weight	Approx. 3.7kg (With case)
Cycle Time	500Times($\geq 60\%$ Capacity)
Cells	18650
Standard Discharge Current	10A
Max. Discharge Current	20A
End Voltage	30V
Over Charge Protection Voltage	42.5 \pm 0.5V
Over Discharge Protection Voltage	28.0 \pm 1.0V
Over Current Protection	60A
Self-consuming Current	32 μ A



Voltage	48V
Capacity	11.6Ah
Weight	Approx. 4.1kg (With case)
Cycle Time	500Times($\geq 60\%$ Capacity)
Cells	18650
Standard Discharge Current	10A
Max. Discharge Current	20A
End Voltage	39V
Over Charge Protection Voltage	55.25 \pm 0.65V
Over Discharge Protection Voltage	36.4 \pm 1.3V
Over Current Protection	60A
Self-consuming Current	42 μ A



ACH-LED01



A-850C



AXH-18



A-LCD5



ALED-4



A-800S



ACH-SW900



A-LCD6



ALED-1



A-ZB02



AQS-CG02



A-KG01



ARC-01



A-SH01



A-KZQ22A



A-ZB01



A-S02



ACL-NL



AKT-D12



A-S01



A-G42

MORE RIDING FUN



SUZHOU I-BIKE TECH CO.,LTD.

E-mail : info@szibike.com

WEBSITE : www.szibike.com